

G100 EHG Wireless Panel Switch



Features

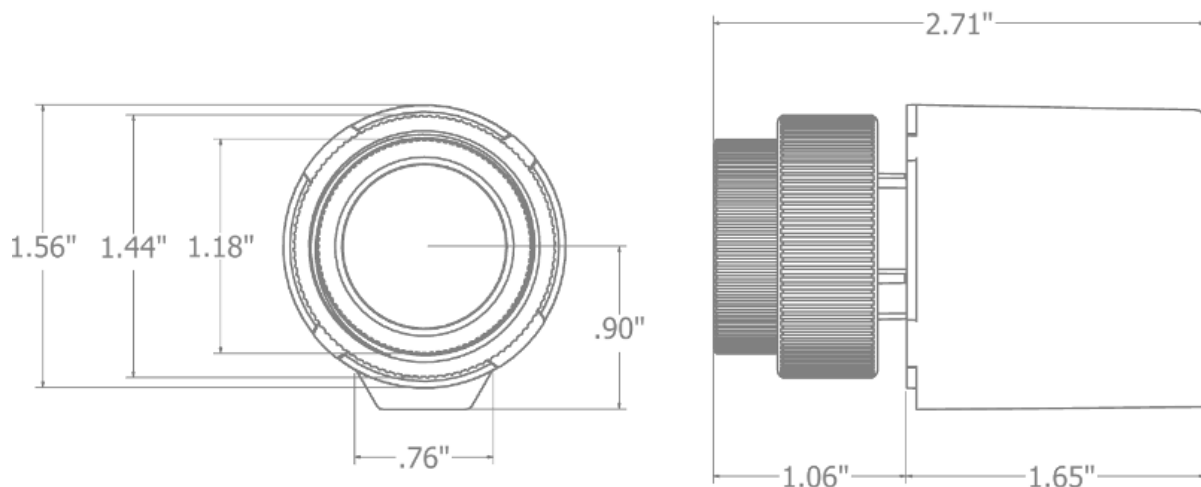
- ▶ Standard 22mm panel mount switch
- ▶ 2.25mJ from 1.8V Buck regulator, 5~50mA
- ▶ 2.75mJ from 3.3V Buck-boost, 5-50mA
- ▶ Capable of driving BLE Beacon or ISM transmitters such as LoRa¹ or FSK.

Applications

- ▶ Remote on/off control of devices and equipment
- ▶ Industrial on/off switch
- ▶ Remote triggering control

Dimensions

Housing contains the EHC100 family of Energy Harvesting Circuits and has space for an end-user MCU and RF transceiver board. Reference design with U-BLOX NINA-B3 ISL9123 voltage regulator and typical sensors is available.



¹ Simulated load for triplicate transmission of DR4 6 byte packet, 1.8V@35mA TX for 13dBm.

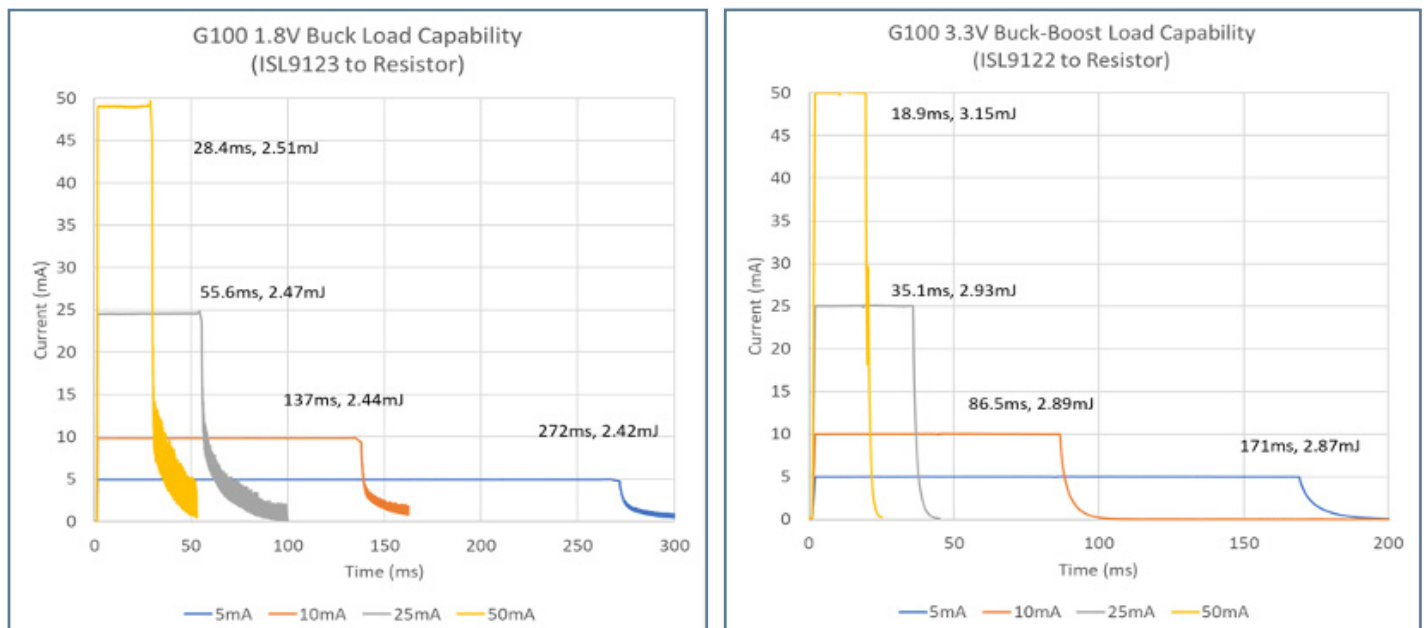


G100 EHG Wireless Panel Switch

Generator Specifications

Voltage at max charge	4.6 V, on 500uF Storage Capacitor
Regulated Energy – 1.8V	> 2.25 mJ, external ISL9123
Regulated Energy – 3.3V	> 2.75 mJ, external ISL9122
Actuation Force	70 ozf
Cycle Durability	1,000,000 ² Press/Release Cycles
Operating Temperature	-40 to +85 °C

Energy Output Curves for Typical Load Regulator



Data provided is by actuation using mechanical cycle tester as reference. Higher current and shorter duration loads lose less energy to quiescent currents and idle loads and operate closer to peak efficiency.

2 Validated cycle life

