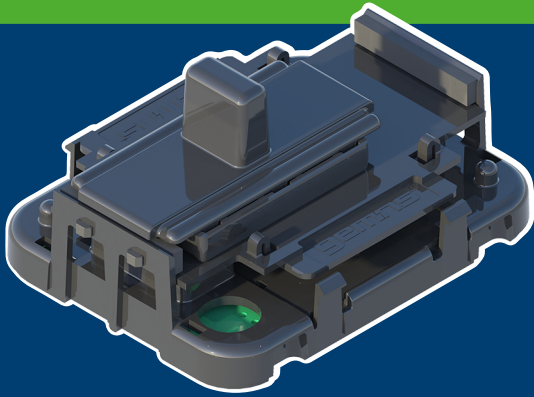


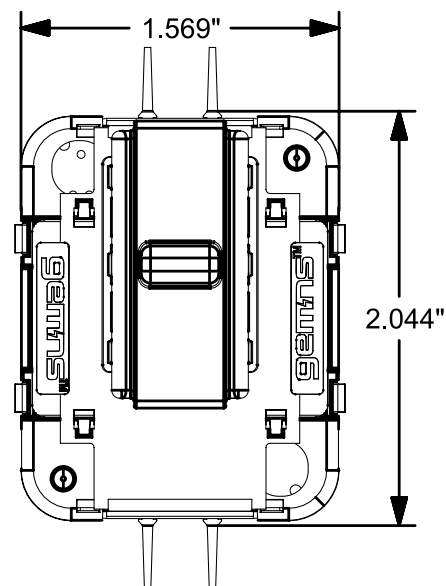
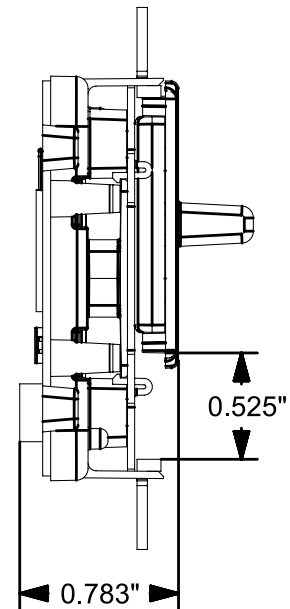
G300 EHG Switch Specification



Details

- ▶ High-output EHG in slide-action bidirectional switch configuration.
- ▶ Ideal for consumer product applications like lighting and smart home devices
- ▶ Life-tested to over 100,000 activations (with 1 million+ achievable)
- ▶ Due to its low activation force, new activation methods will make this a favorite for IoT designers

Dimensions

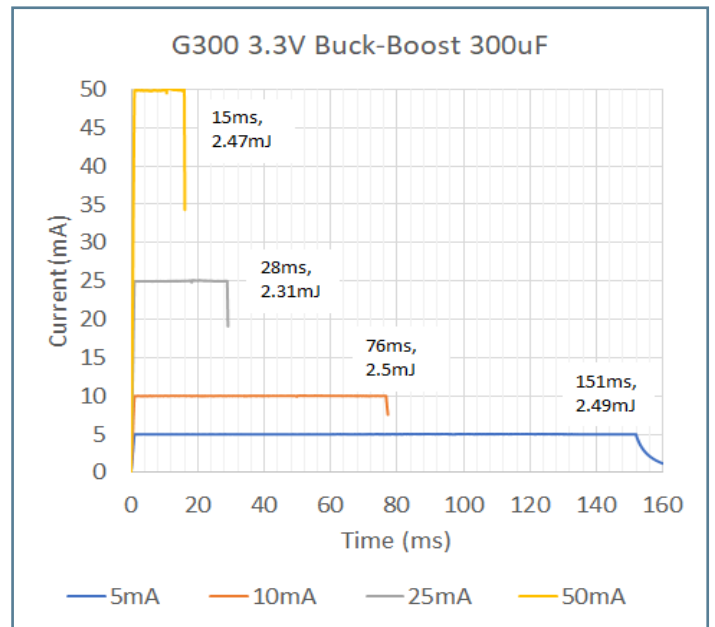
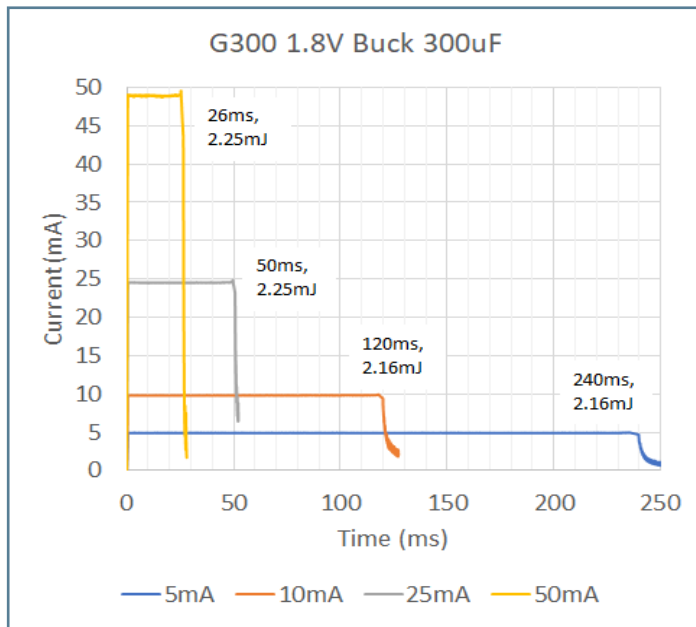


G300 EHG Switch Specification

Generator Specifications

| | |
|-------------------------|-----------------------------------|
| Voltage at max charge | 5.6 V, on 300uF Storage Capacitor |
| Regulated Energy – 1.8V | > 2.1 mJ, external ISL9123 |
| Regulated Energy – 3.3V | > 2.3 mJ, external ISL9122 |
| Actuation Force | 13 ozf |
| Cycle Durability | > 100,000 cycles |
| Operating Temperature | -40 to +85 °C |

Energy Output Curves



Data provided is by actuation using manual slide activation.

